

Product datasheet

neoStat app controlled thermostat

Continal
UNDERFLOOR HEATING

The neoStat is an advanced fully programmable thermostat that can be app controlled from wherever you are in the world. It provides individual room time and temperature control.

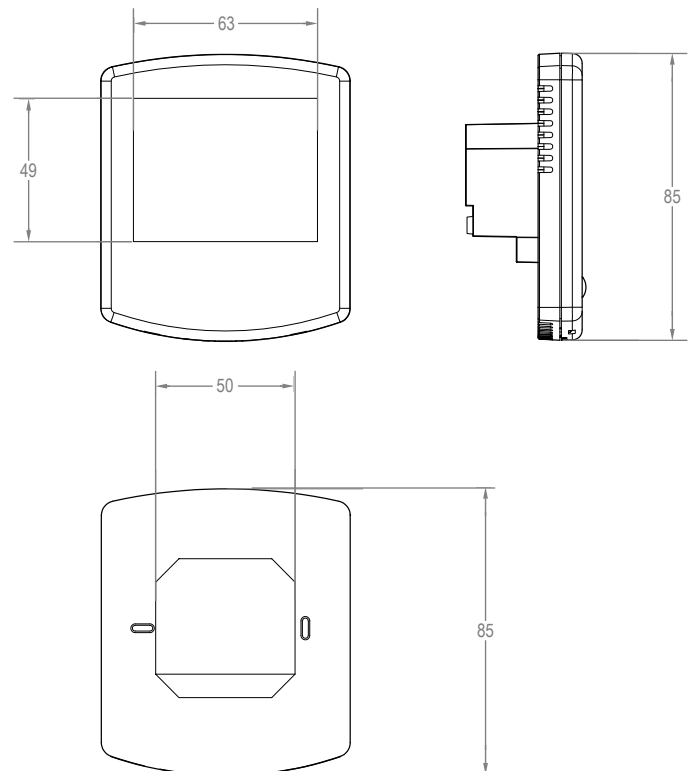
It can either be controlled and programmed manually, or via a connected phone or tablet.

App control is simply achieved by installing the neoHub. This is a simple plug and play installation with your router.



Features:

- Connect multiple stats for multiple zones / rooms to the neoHub
- Keylock function
- Holiday function
- Normal wiring L-N-E-SL
- One button press to add to neo network
- Geolocation
- 7-day, 5/2 day, or 1-day programmable
- Optimum start
- °C / °F option
- Optional remote sensor
- Flush mount or 35mm back box



Technical:

- Installed dimensions: 85mm x 85mm x 13mm
- Weight: 137g
- IP rating: IP20

Electrical data:

- Power supply: 230VAC 50/60Hz
- Rating: 3A
- Max switching current: 3A

Temperature range:

- Temperature range: 5°C to 35°C
- Accuracy: $\pm 1^\circ\text{C}$

About us

No ifs, no buts. The award-winning Continal® service means you get an underfloor heating system delivered to you on time, on site, every time, no compromise.

