

Our unique Quantum dial thermostat-RF is the only dial thermostat that can be operated remotely via an easy-to-use app or through its simple interface.

Users appreciate its silent switching and clear LED display, while its self-learning feature requires minimal intervention.



Technical:

- Installed dimensions: 80mm x 80mm x 33mm
- Weight: 125g
- IP rating: IP30

Electrical data:

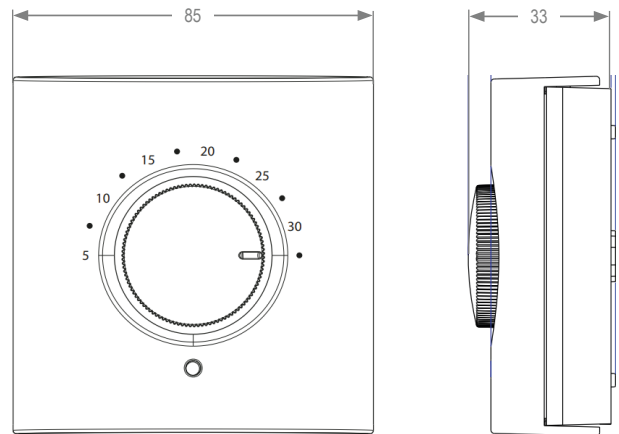
- Power supply: 2 x AA batteries

Temperature range:

- Temperature range: 5°C to 32.5°C
- Accuracy: $\pm 0.5^\circ\text{C}$

Features:

- Easy install and operation
- App-controlled
- Stylish design
- Clear LED indication
- Frost protection
- Self-learning
- Silent switching
- 5-year warranty



About us

No ifs, no buts. The award-winning Continal® service means you get an underfloor heating system delivered to you on time, on site, every time, no compromise.